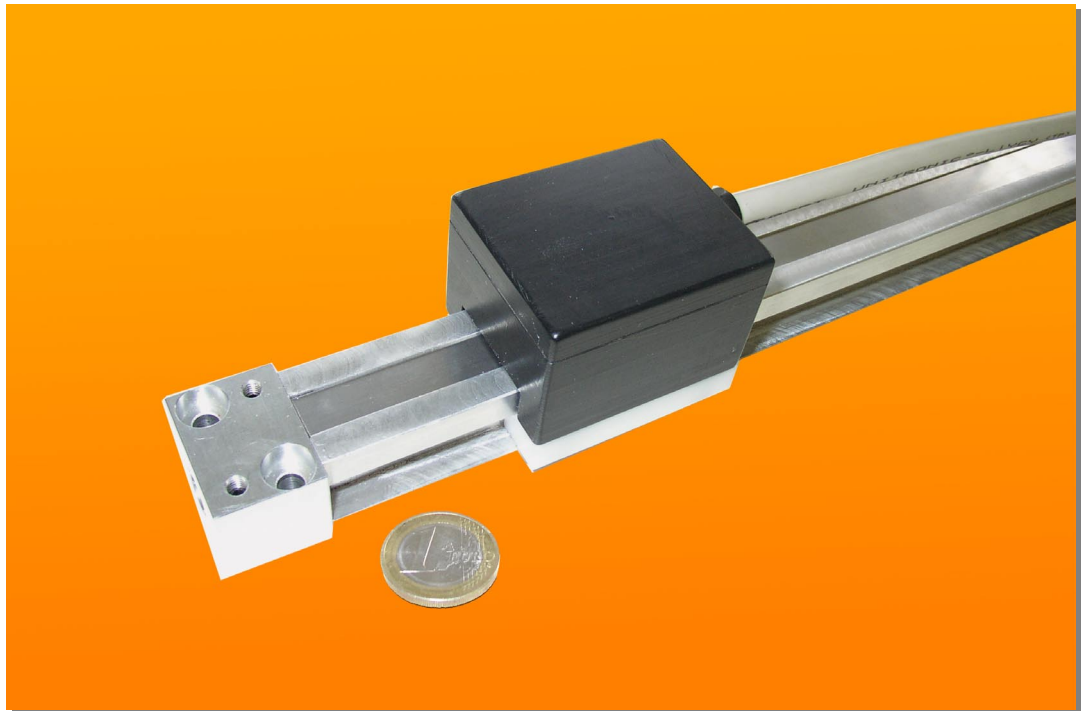


FEMIX23

Guided, Incremental, μm – high resolution
Measuring System for linear movements



- robust alternative to optical measuring systems
e.g. for hydraulic presses
- Length of guide rail on desire (up to 2 meters)
- wear free measuring principle
- contactless scanning of position
- insensitive against dust, dirt and water
- with index-pulse
- Resolution = 0,001 mm
(at four edge triggering)
- Repeating accuracy +/- 0,001 mm
- Sensor with integrated translator
- speed-proportional square wave outputs

Technical specifications FEMIX23

Resolution:	: 0,001 mm (at four edge triggering)
Repeating accuracy:	: +/- 0,001 mm
Distance tape/sensor	: max. 0,8 mm
Housing	: die cast zinc
Protection class	: IP 65
Operating temperature	: 0° up to + 50 °C
Output current	: max. 20 mA per channel
Index pulse (every 2 mm's)	: cycle duration depending on operating speed
Necessary magnetic tape	: MB20.20 (pole division 2 mm)

At supply voltage 5 VDC / 5 V-TTL line driver output

Tolerance of supply voltage	: +/- 2,5 %, ripple < 50 mV
Consumption	: max. 200 mA
Output frequency / channel	: 100 KHz with 0.4 m/s operation speed 500 KHz with 2.0 m/s operation speed
max. length of wire	: 10 m

At supply voltage 10 - 30 VDC / 5 V-TTL line driver output

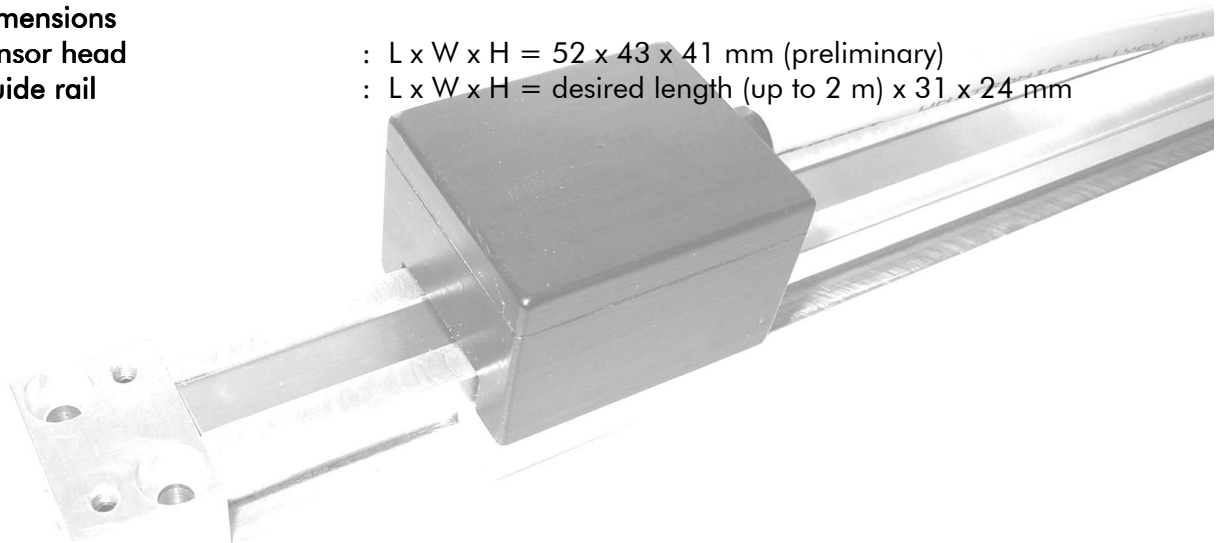
Tolerance of supply voltage	: stabilized, ripple max. 5 %
Consumption	: max. 150 mA
Output frequency / channel	: 100 KHz with 0.4 m/s operation speed 500 KHz with 2.0 m/s operation speed
max. length of wire	: 50 m

At supply voltage 10 - 30 VDC / 10 - 30 VDC output

Tolerance of supply voltage	: stabilized, ripple max. 5 %
Consumption	: max. 150 mA
Output frequency / channel	: 100 KHz with 0.4 m/s operation speed 500 KHz with 2.0 m/s operation speed
max. length of wire	: 30 m

Dimensions

Sensor head	: L x W x H = 52 x 43 x 41 mm (preliminary)
Guide rail	: L x W x H = desired length (up to 2 m) x 31 x 24 mm



ELGO - Electric - GmbH

Messen - Steuern - Positionieren

Carl - Benz - Straße 1, D-78239 Rielasingen

Tel.: 0049 - (0)7731/93 39 - 0, Fax: 2 88 03

Internet: www.elgo.de, Mail: info@elgo.de